

Shower head - Chrome

IMO

28 508 980



Fits: IMO, MEM, CL.1, CYO

- 200mm projection
- ball-joint pivotable through 30°
- Three settings: PURIFY RAIN, COMPACT SOFT FLOW, COMPACT AQUAPRESSURE FLOW, max. flow rate 9 l/min (at 3 bar)
- with anti-scale system
- spray head Ø 92mm
- rosette 60 x 60 mm
- 1/2" connection
- This product can help a building meet the requirements of Green Building Rating Systems, e.g. LEED®, BREEAM®, DGNB

	Chrome	28 508 980-00 0050
	Brushed Platinum	28 508 980-06 0050
	Platinum	28 508 980-08 0050
	Dark Chrome	28 508 980-19 0050
	Brushed Light Gold	28 508 980-27 0050
	Brushed Durabrass (23kt Gold)	28 508 980-28 0050
	Matte Black	28 508 980-33 0050
	Brushed Champagne (22kt Gold)	28 508 980-46 0050
	Champagne (22kt Gold)	28 508 980-47 0050
	Brushed Chrome	28 508 980-93 0050
	Brushed Dark Platinum	28 508 980-99 0050

Recommended miscellaneous

Concealed wall elbow -

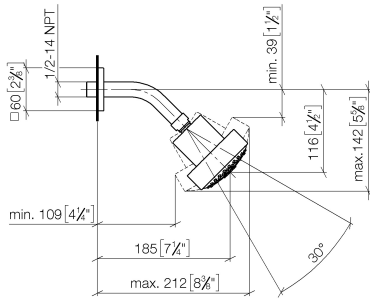
35 085 970 90



- max. recess depth 163 mm
- min. recess depth 90 mm

28 508 980

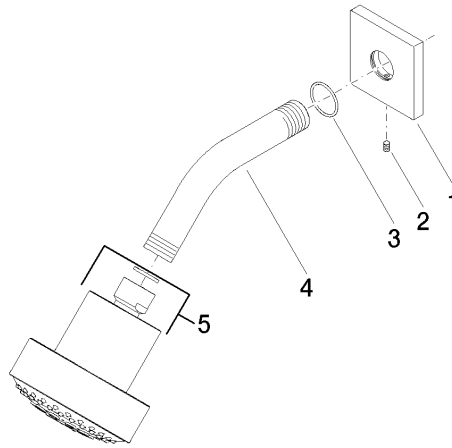
mm [inches]



Flow rate chart



28 508 980



Spare parts list

No.	Item Number	Name	Quantity used	Delivery time
1	09 27 98 003-00	rosette	1	10
2	09 31 11 048 90	pin	1	2
3	09 14 10 098 90	seal	1	2
4	09 11 03 011-00	connection	1	10
5	04 12 11 110 00-00	shower	1	10